

# Belkin Advanced Secure DVI-I KVM Switch

SECURITY. USABILITY. COMPATIBILITY.



**BELKIN**®  
Government Solutions

# The Challenge

---

Cyber threats are rising exponentially as attackers gain greater sophistication and familiarity with system vulnerabilities—and while government networks are prime targets, even desktops are at risk. Besides the catastrophe that the loss of classified data and documents would entail, attacks have taken down entire systems, leaving government agencies vulnerable and repair costs significant. Government agencies must not only comply with National Information Assurance Partnership (NIAP) requirements, but also go beyond the minimum guidelines to provide the necessary security to meet present and future threats, and protect their data and IT infrastructure.



# The Solution

---

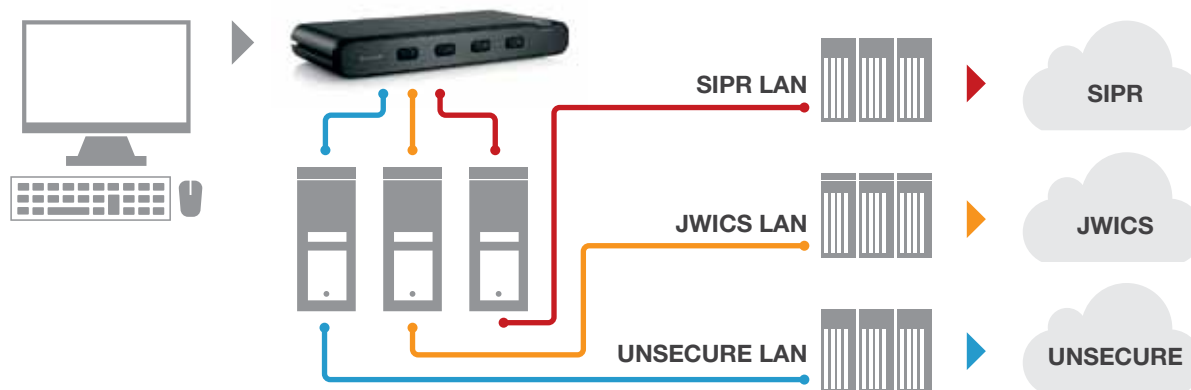
Belkin's Advanced Secure DVI-I KVM Switch features true data path isolation for superior security and data protection for government agencies. One of the most underutilized preventive measures for thwarting attacks, keyboard-video-mouse (KVM) switching devices can be used to securely connect peripheral devices, including audio equipment and large high-resolution displays, and to switch quickly among multiple computers and networks with a single keyboard, monitor, mouse, and smart card reader. Belkin's secure DVI-I KVM Switch is fully compatible with legacy and new government systems and exceeds NIAP security requirements. The KVM switch is specially designed to prevent peripherals from leaking information



and to remain tamper-free upon delivery. Belkin secure switching solutions help agencies save time, money, and resources by future-proofing their workstation security investments.

# Key Features

---



## SUPERIOR SECURITY

---

- **True Data Path Isolation**  
Prevent data breach with true data path isolation—purposefully engineered to provide single, unbuffered, dedicated processors for each KVM peripheral port.
- **Peripheral Protection**  
Eliminate data leaks with hardware-controlled unidirectional data flow that allows devices, such as a keyboard or mouse, to communicate in only one direction, keeping them from receiving data from the computer.
- **End-to-End Tamper-Proof System**  
Guarantee that your device remains tamper-free throughout the manufacturing and delivery process. The uni-body chassis of the KVM switch is designed to reduce entry points; serialized holographic FIPS-compliant labels provide visual indication and prevention of external tampering; and electronic sensors render the KVM inoperable if the chassis is opened.

## ENHANCED USABILITY

---

- **Easy Identification**  
Reduce user error with customizable color coding that labels ports associated with each network. The port button also illuminates to indicate which computer the console is controlling.
- **Simplified Switching**  
Switch between systems without terminating your session using intelligent CAC switching.

## COMPATIBILITY

---

- **Secure Testing**  
Expect the best compatibility out-of-the-gate with a Secure KVM solution that's designed and vigorously tested to work seamlessly with common systems and peripherals used by the defense and intelligence community.

# The Belkin Difference

Based in California, Belkin is one of the most respected and successful computer component designers and manufacturers in the world. Its secure KVM switch solution is NIAP-listed and approved to the latest KVM testing standard (EAL 2, Protection Profile v2.1). One of its exclusive innovations is the use of true data path isolation.

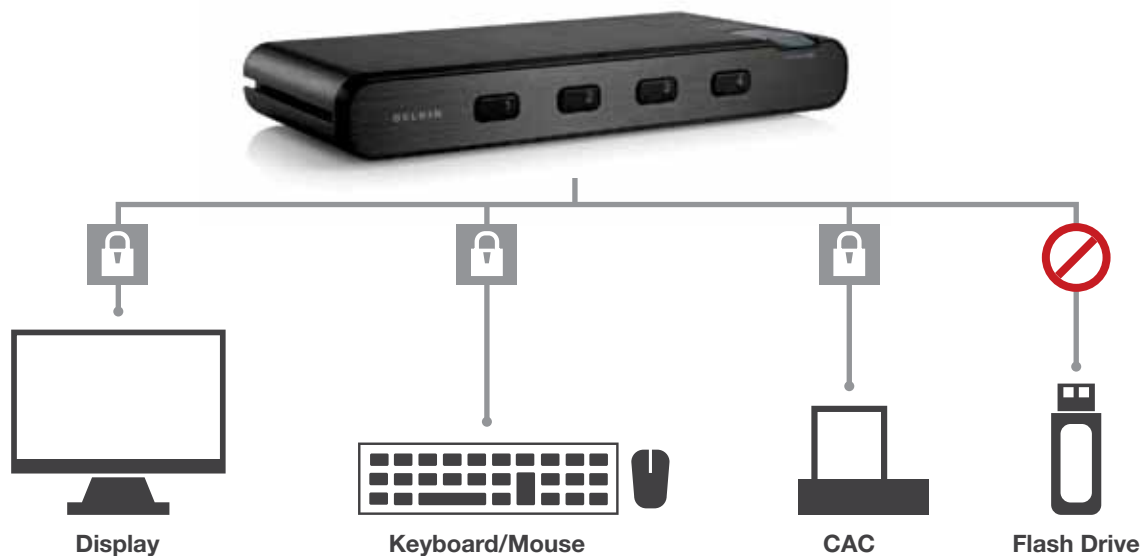
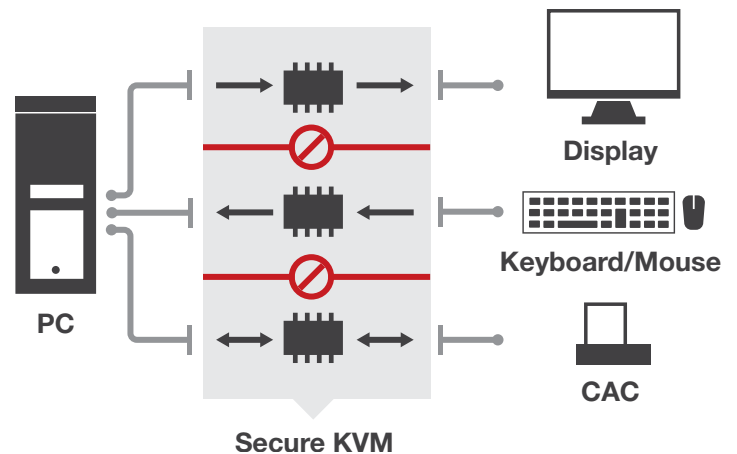
## New Features

**Dedicated processors with emulators for every port:** Isolated port paths for video, audio, peripherals, and smart card readers prevent data leaks between computers.

**Unidirectional data paths:** Optical data diodes prevent peripherals from being used to breach systems.

**Display security:** Protected display interface prevents data leakage via the monitor.

**Peripheral management:** USB device detection prevents unauthorized peripheral usage.





**Anti-tampering:** Internal electrical sensors render unit inoperable if opened.

**Uni-body chassis:** Minimizes entry points and prevents physical tampering.

**Secure labeling:** Holographic tamper-evident product label provides visual indication and prevention of tampering.

**Multi-monitor support:** Connects two monitors for each system (for certain models) to increase user productivity.



**Customizable port coloring and naming:** Facilitates port identification and reduces user switching errors.



## ADDITIONAL FEATURES

**Secure packaging:** Tamper-evident packaging ensures product is not tampered with during transport.

**Fast switching:** No keyboard or mouse delays when switching ports.

**Intelligent common access card (CAC) switching:** Prevents unwanted system log-off while switching ports (available on certain models).

**Easy mounting:** Uses an integrated mounting track to allow under-desk or side-wall mounting, creating extra desk space.

**High-retention connectors:** Semi-locking USB ports prevent accidental disconnection.

**Multi-platform support:** Supports cross-platform systems, including DVI-D, DVI-I, and VGA video interface technologies with Belkin Smart Cables.

**No microphone switching:** Eliminates eavesdropping of secure meetings.

# VGA to DVI Smart Cable

Belkin's Smart Cables offer reliable multiplatform support for the broadest range of current, legacy, and future platforms, hardware, and peripherals. This includes PS2, VGA, and DVI. Compact and easy to deploy, the smart cables provide government agencies with the flexibility they need to convert legacy connections into today's surging technologies.



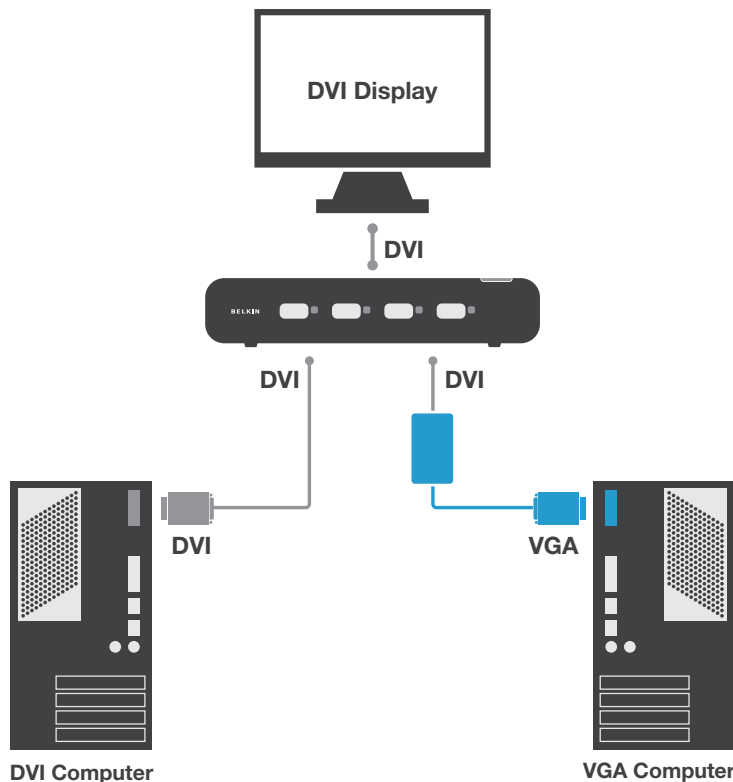
## FEATURES

**Multi-platform support:** Provides your Advanced Secure KVM with the ability to support desktops with VGA, DVI, or PS2 interfaces.

**Easy to install:** Does not require any software or power supply.

**Compact:** Designed into a cable form factor to eliminate unwanted cable clutter.

## Belkin VGA to DVI Smart Cable



The cable converts the video signal (VGA or DVI) from the PC to a compatible signal for the KVM.

# USB to Display Smart Cable

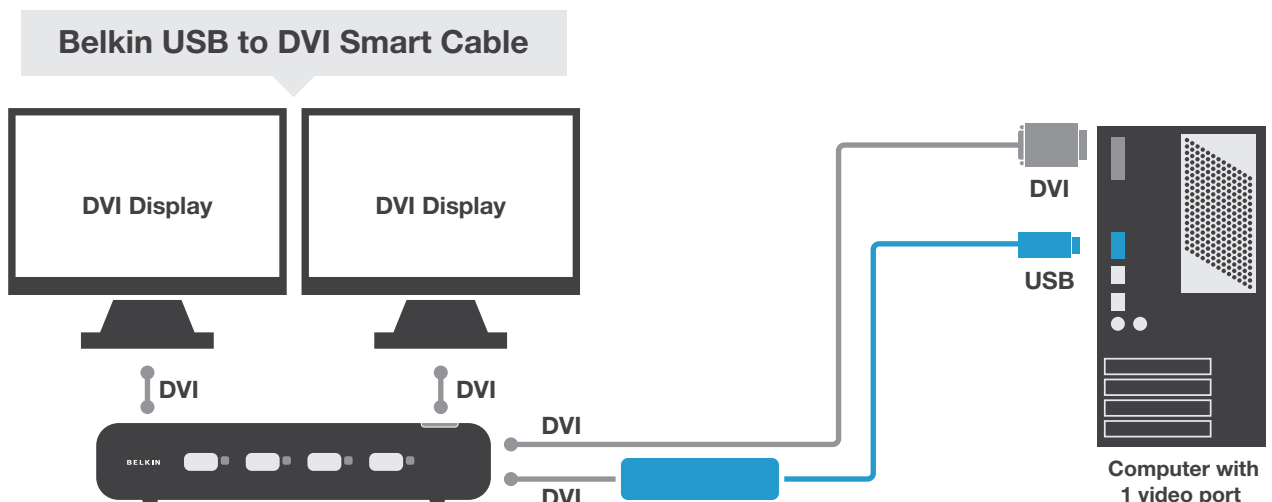
Easily connect an additional display to your computers or notebooks without the need of an extra video port using the latest USB graphics technology. USB to Display Smart Cable provides the best possible USB graphics quality, connecting high-resolution, 32-bit color graphics with smooth video playback via USB.

Simply install your USB to Display Smart Cable, and within a few seconds you've got a new monitor connected to your KVM without upgrading the video card on the computer.



## SMART CABLES AND ACCESSORIES

Part Number	Description
F1D9009b06	VGA/USB to DVI-D/USB Cable, 6'
F1D9011b06	USB to Video Cable, 6'
F2E0271-SD	DVI-I to DVI-D Adapter
F1D006	Mounting Bracket for F1DN10XB & F1DN10XC
F1D008	Mounting Bracket for F1DN104E & F1DN104F



# Advanced Secure DVI-I KVM Switch

## Product Specifications

Part Number	F1DN102B	F1DN104B	F1DN102C	F1DN104C	F1DN104E	F1DN104F
No. of Monitors Supported	1	1	1	1	2	2
No. of Computers Supported	2	4	2	4	4	4
No. of Secure Channels	2	4	2	4	4	4
CAC Support	No	No	Yes	Yes	No	Yes
Dimensions	12.5 (W) x 1.7 (H) x 6.4 (L) in.	12.5 (W) x 1.7 (H) x 6.4 (L) in.	12.5 (W) x 1.7 (H) x 6.4 (L) in.	12.5 (W) x 1.7 (H) x 6.4 (L) in.	12.5 (W) x 2.5 (H) x 6.4 (L) in.	12.5 (W) x 2.5 (H) x 6.4 (L) in.
Weight	3.65 lbs.	3.85 lbs.	3.7 lbs.	3.9 lbs.	4.85 lbs.	4.9 lbs.
Enclosure	Aluminum	Aluminum	Aluminum	Aluminum	Aluminum	Aluminum
Keyboard/Mouse Connection	USB	USB	USB	USB	USB	USB
Keyboard/Mouse Ports	2	2	2	2	2	2
CAC Peripheral Ports	0	1	0	1	0	1
Computer Connection	USB	USB	USB	USB	USB	USB
Video Output	Digital (DVI-I Dual-Link)	Digital (DVI-I Dual-Link)	Digital (DVI-I Dual-Link)	Digital (DVI-I Dual-Link)	Digital (DVI-I Dual-Link)	Digital (DVI-I Dual-Link)
Video Connection	DVI-I (Digital & Analog)	DVI-I (Digital & Analog)	DVI-I (Digital & Analog)	DVI-I (Digital & Analog)	DVI-I (Digital & Analog)	DVI-I (Digital & Analog)
Audio Jack	3.5 stereo mm	3.5 mm stereo	3.5 mm stereo	3.5 mm stereo	3.5 mm stereo	3.5 mm stereo
Max Resolution	Up to 2560 x 1600 @ 60Hz	Up to 2560 x 1600 @ 60Hz	Up to 2560 x 1600 @ 60Hz	Up to 2560 x 1600 @ 60Hz	Up to 2560 x 1600 @ 60Hz	Up to 2560 x 1600 @ 60Hz
Selector Push Buttons	2	4	2	4	4	4
LED Indicators	2	4	2	4	4	4
CAC Selectors	0	0	2	4	0	4

Part Number	Description
F1D9012b06	Secure KVM Cable Kit, DVI, USB & Audio, 6'
F1D9012b10	Secure KVM Cable Kit, DVI, USB & Audio, 10'
F1D9012b15	Secure KVM Cable Kit, DVI, USB & Audio, 15'
F1D9014b06	Secure KVM Cable Kit, Dual DVI, USB & Audio, 6'
F1D9014b10	Secure KVM Cable Kit, Dual DVI, USB & Audio, 10'
F1D9014b15	Secure KVM Cable Kit, Dual DVI, USB & Audio, 15'
F1D9015b06	Secure KVM Cable Kit, VGA to DVI, USB & Audio, 6'
F1D9015b10	Secure KVM Cable Kit, VGA to DVI, USB & Audio, 10'
F1D9013b06	CAC USB Cable, 6'
F1D9013b10	CAC USB Cable, 10'
F1D9013b15	CAC USB Cable, 15'



Technology Solutions  
For Public Sector  
Since 1996

**BELKIN**®  
Government Solutions